



SiI3726 SATA Port Multiplier

Featuring Silicon Image's SteelVine® Technology

SiI3726 is a 1-to-5 Serial ATA (SATA) port multiplier designed to provide a high-performance link between a single SATA host port and five SATA device ports. The SiI3726 supports host and device link rates of 1.5 Gbps and 3 Gbps with auto-negotiation, and when connected to a FIS based switching controller, it provides data aggregation to fully utilize the 3G host link. It supports SEMB protocol for enclosure management and programmable PHY drive strength.

Applications

- ◆ Server drive expansion
- ◆ NAS drive expansion
- ◆ Nearline DAS storage
- ◆ External storage enclosures
- ◆ Security DVR drive expansion

Key Features

- ◆ 1.5G or 3G, auto negotiation
- ◆ FIS-switching controller support
- ◆ SEMB enclosure management over I2C
- ◆ Programmable PHY strength, hot plug
- ◆ Expands 1 SATA port to 5 SATA ports
- ◆ High performance data aggregation
- ◆ Host and device status/activity LEDs
- ◆ In-band control of 8 GPIs/16 GPOs pins
- ◆ Far-end loop back BIST support
- ◆ Auto initialization from EEPROM
- ◆ HDD (ATA) or ODD (ATAPI) supported

Benefits Summary

- ◆ Easy-to-Use SATA drive expansion
- ◆ Configurable for internal and external (eSATA) applications
- ◆ Supports SEMB enclosure management
- ◆ Programmable cable length support
- ◆ Status LEDs for each port
- ◆ In-band programmable 8 GPIs/16 GPOs

Industry-Standard Compliance

- ◆ SATA PM 1.1
- ◆ SATA Gen 1 (1.5G) and Gen2 (3G)

Host Port

- ◆ Supports one SATA host port, 3Gb/s
- ◆ Hot Plug support
- ◆ Supports Asynchronous Notification
- ◆ SATA port multiplier spec. compliant
- ◆ Supports PM aware hosts
- ◆ Two detailed system status LEDs
- ◆ eSATA signal level support (1m and 2m PHY compliant)

Device Port

- ◆ Five SATA device ports, 3Gb/s
- ◆ Hot Plug support
- ◆ SATA port multiplier spec. compliant
- ◆ Compatible with NCQ drives
- ◆ Two LEDs for detailed status per port
- ◆ eSATA signal level support (1m and 2m PHY compliant)

System Features

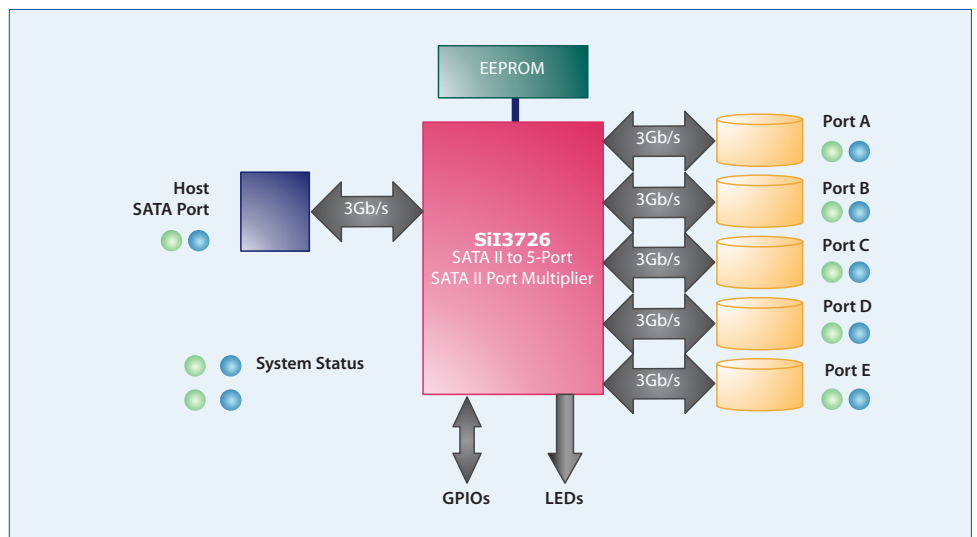
- ◆ Four status LEDs for system functions
- ◆ Works without BIOS updates
- ◆ ATA and ATAPI device support
- ◆ Spread Spectrum Clocking w/SSC clock
- ◆ Field-upgradeable firmware
- ◆ 8 Programmable GPIs and 16 GPOs
- ◆ JTAG boundary scan and BIST support

Hardware and OS Support

- ◆ SiI3726 reference design board
- ◆ OS Agnostic, no driver required
- ◆ EEPROM auto initialization

Package

- ◆ 364 HSBGA



Enhancing the connected HD experience

1060 E. Arques Ave., Sunnyvale, CA 94085 T 408.616.4000 F 408.830.9530 www.siliconimage.com

© 2011 Silicon Image, Inc. All rights reserved. Silicon Image, the Silicon Image logo, SteelVine, and the SteelVine logo are trademarks or registered trademarks of Silicon Image, Inc. in the United States and/or other countries. HDMI, the HDMI logo, and High-Definition Multimedia Interface, are trademarks or registered trademarks in the United States and/or other countries and are used under license from HDMI Licensing, LLC. MHL, the MHL logo, Mobile High-Definition Link, are trademarks or registered trademarks in the United States and/or other countries and are used under license from MHL, LLC. All other trademarks are the property of their respective owner in the United States and/or other countries. Product specifications are subject to change without notice. Printed in USA 02/11 SiI PB-1085

