

# Sil3114 Reference Board Schematics

**NOTES:** Unless Otherwise Specified:

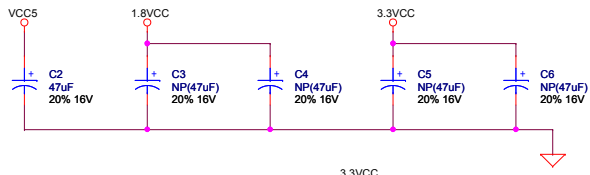
1. All components are subject to change.
2. All resistors and ceramic capacitors are in surface mount 0603 package unless otherwise specified
3. All resistors are 5%, 1/16 watt unless otherwise specified
4. All capacitors are 20%, 50 volt ceramic unless otherwise specified
5. R7 must be replaced by 4.99K 1% with 100MHz reference clock at XTALI. R7 is 1K 1% by default with 25MHz reference clock.

Revision History

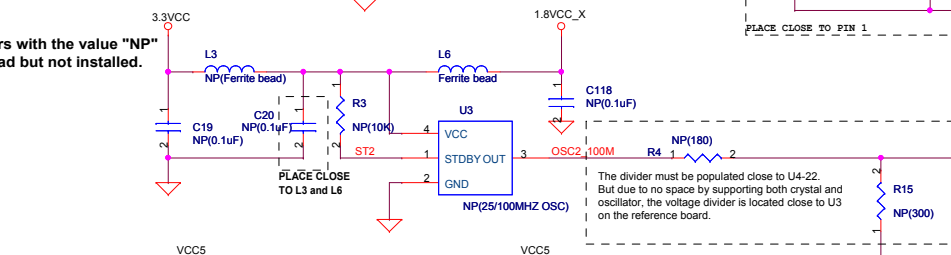
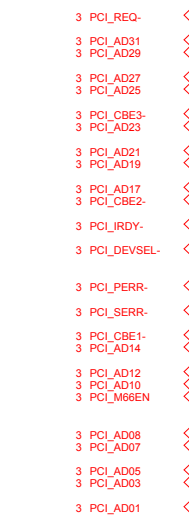
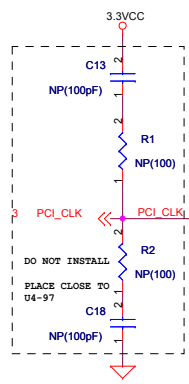
- Rev A  
- Derived from Preliminary schematics Rev 0.99
- Rev A1  
- Updated the value of C107,C109,C111,C114,C115 and C118 to 0.1uF from NP(0.1uF)
- Rev A2  
- Updated the vaule of C47,C48 to 15pF from27pF
- Rev A3  
- Added note that SATA connectors are Reverse Mount Type
- Rev B  
- Corrected SATA connectors pin assignment

Reference Schematic ONLY.  
Please consult Silicon Image.

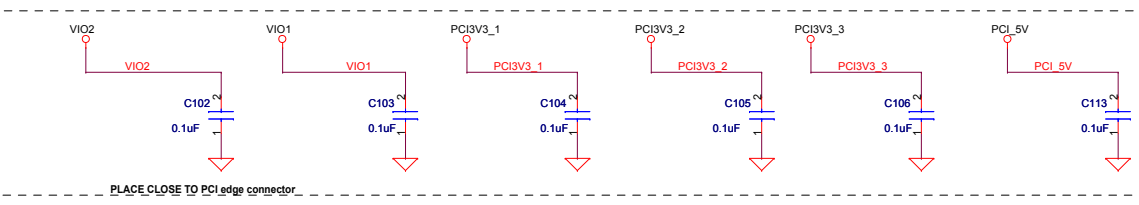
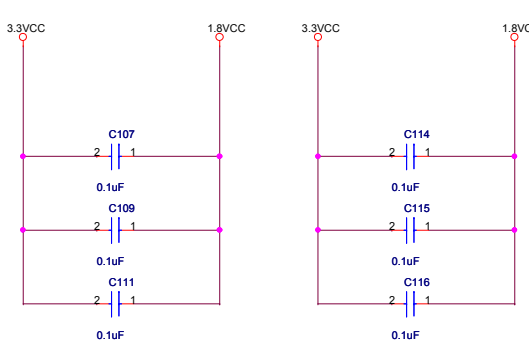
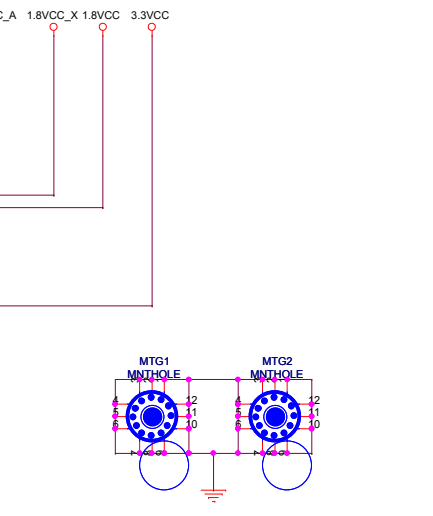
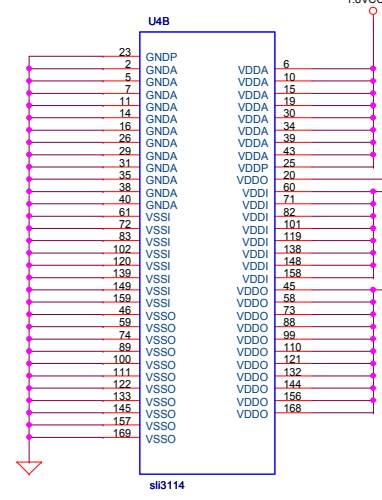
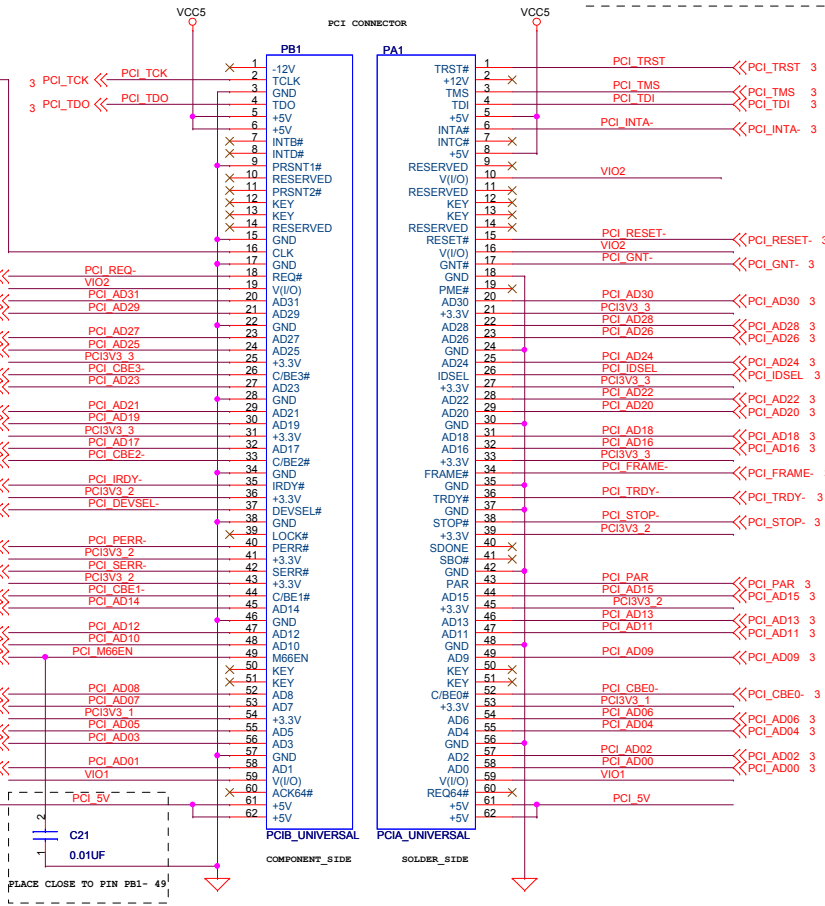
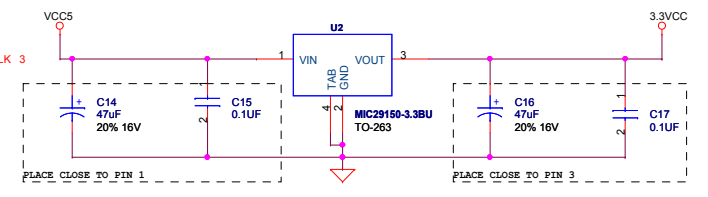
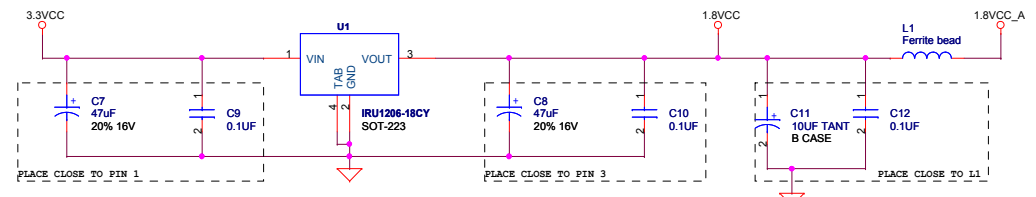
Title			
PB3114			
Size	Document Number	Rev	
Custom	Sil-SC-0057-B	E2	
Date:	Monday, August 14, 2006	Sheet	1 of 3



\* The capacitors/resistors with the value "NP" means to prepare the pad but not installed.

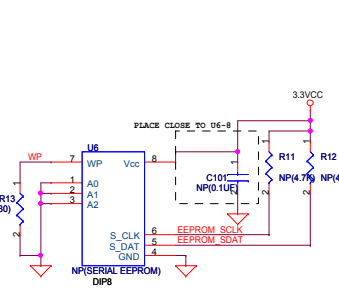
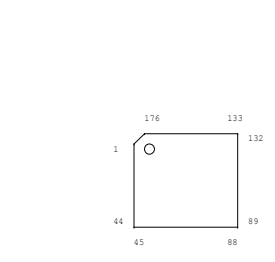


The divider must be populated close to U4-22. But due to no space by supporting both crystal and oscillator, the voltage divider is located close to U3 on the reference board.

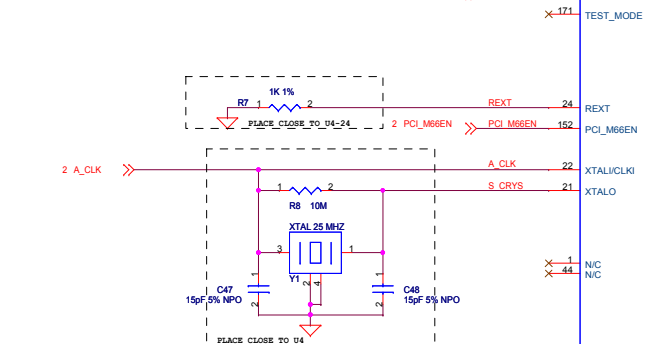


Reference Schematic ONLY. Please consult Silicon Image.

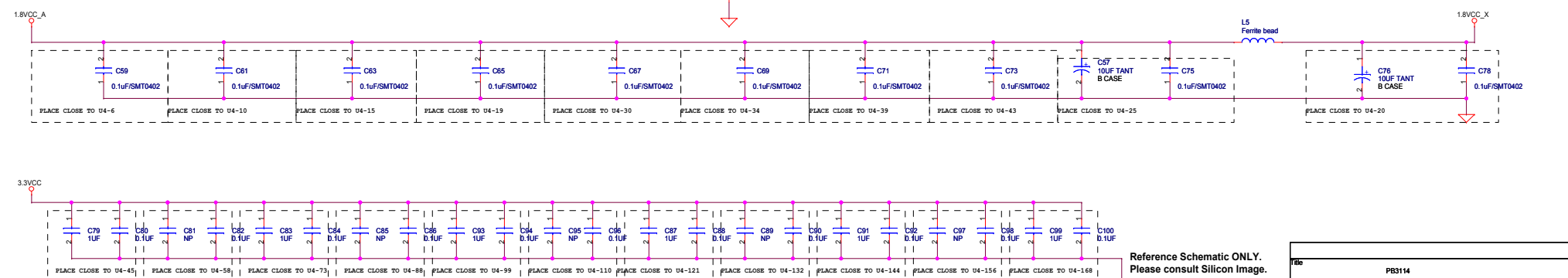
Title			PB3114		
Size	Document Number				Rev
Custom	SII-SC-0057-B				EZ
Date:	Monday, August 14, 2006	Sheet	2	of	3



\* The capacitors/resistors with the value "NP" means to prepare the pad but not installed.

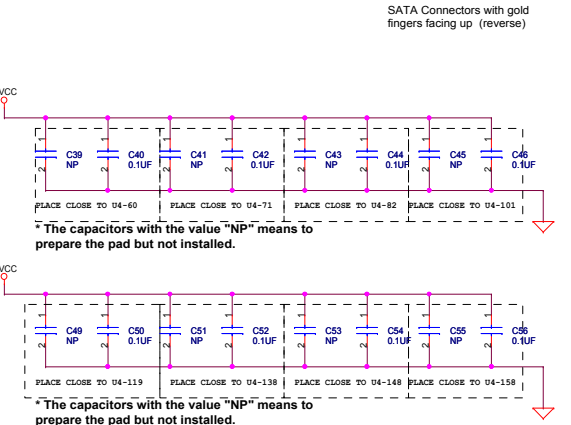
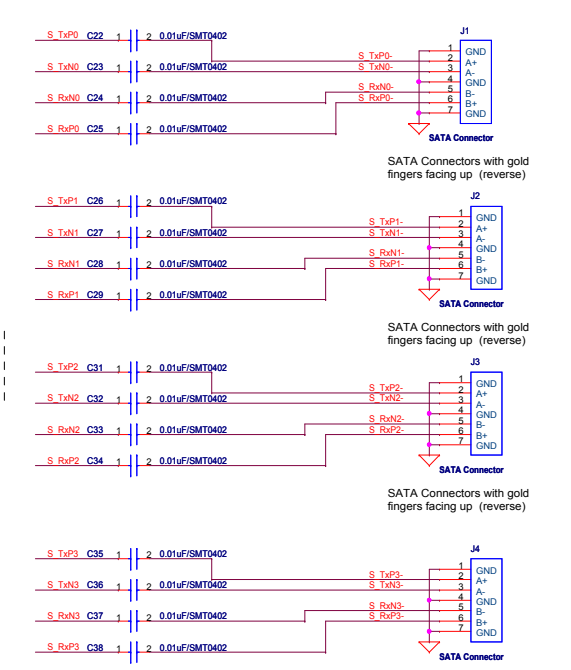
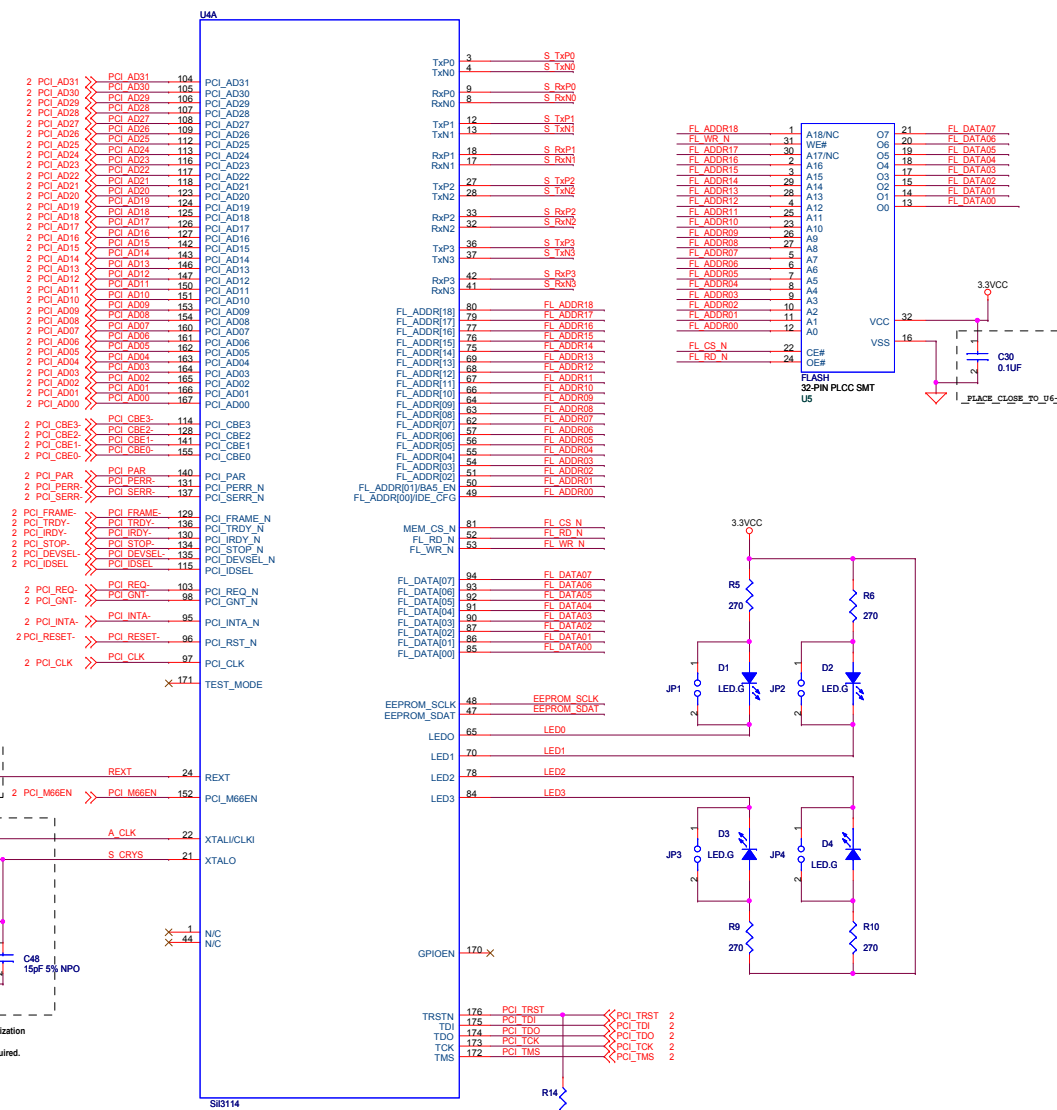


Load value must be determined by characterization with customer's BOM on the PCB. The feedback 10M ohms resistor must be required.



\* The capacitors with the value "NP" means to prepare the pad but not installed.

Reference Schematic ONLY. Please consult Silicon Image.



\* The capacitors with the value "NP" means to prepare the pad but not installed.

Title		PB3114	
Size	Document Number	SII-SC-0057-B	
C			
Date:	Monday, August 14, 2006	Sheet	3 of 3
Rev	E2		