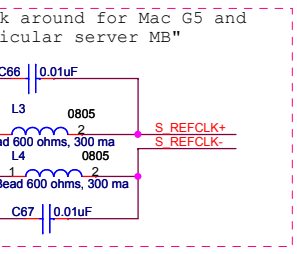
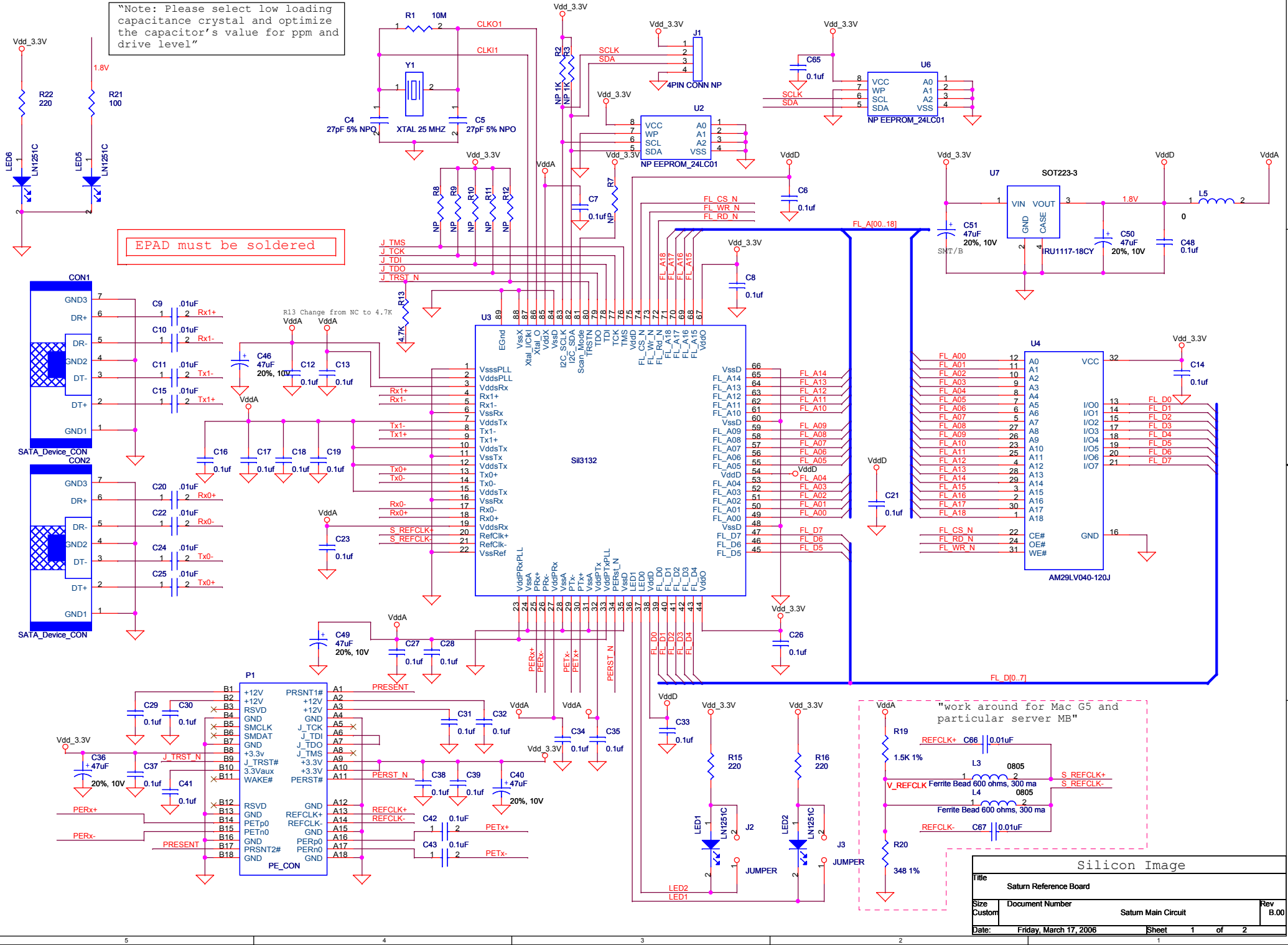


"Note: Please select low loading capacitance crystal and optimize the capacitor's value for ppm and drive level"

EPAD must be soldered



Silicon Image			
Saturn Reference Board			
File	Document Number	Saturn Main Circuit	Rev B.00
Size Custom			
Date: Friday, March 17, 2006	Sheet 1 of 2		