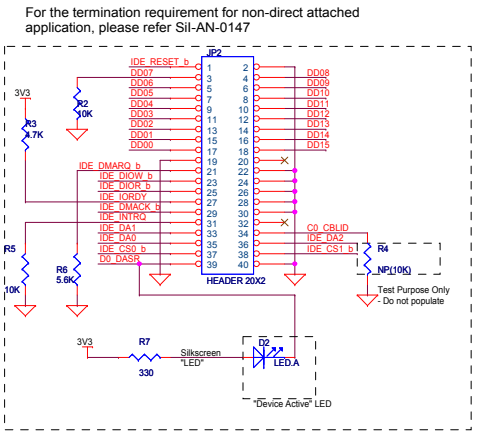
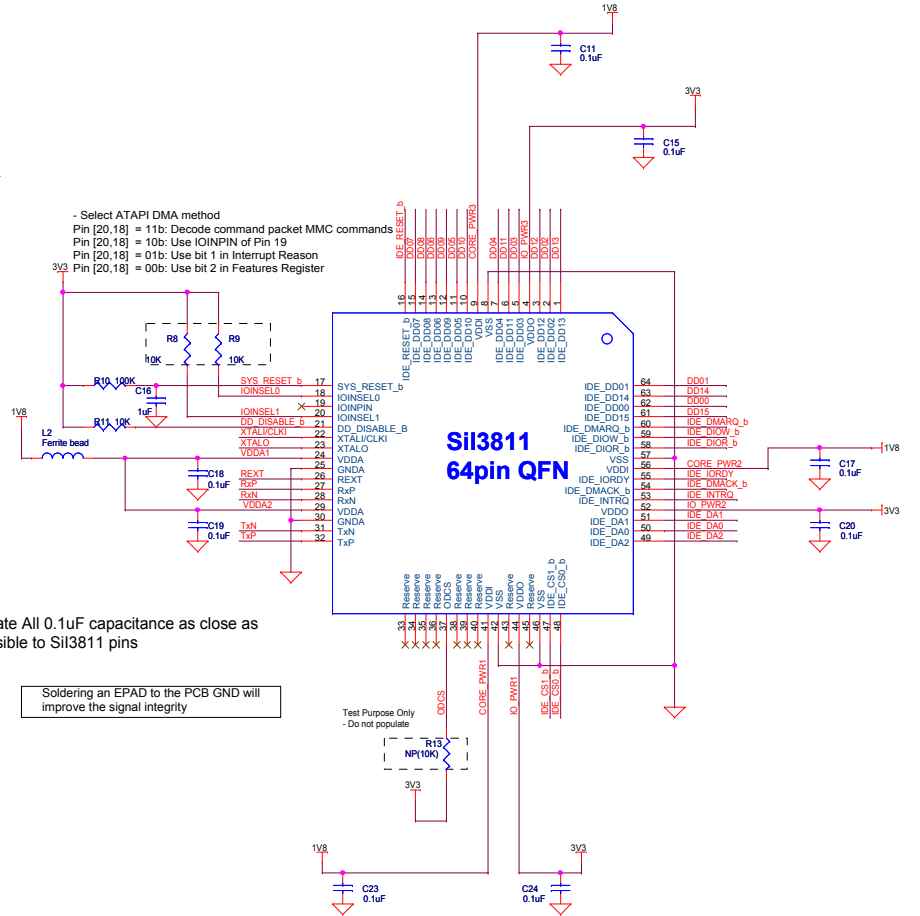


SATA Connector with gold figures facing up (reverse)
 * locate as close as possible to SATA connector.

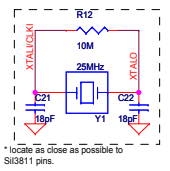
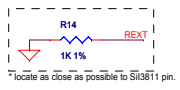


For the termination requirement for non-direct attached application, please refer SII-AN-0147



Locate All 0.1uF capacitance as close as possible to SiI3811 pins

Soldering an EPAD to the PCB GND will improve the signal integrity



Revision History

Rev A
 - Initial Released

Silicon Image, Inc. 1060 E. Argus Ave. Sunnyvale, CA 94085		
Title SII3811 reference schematics		
Size	Document Number SII-SC-0231-A	Rev A
Date	Monday, August 07, 2006	Sheet 1 of 1

Information Subject to Change without Notice.
 Please consult Silicon Image.