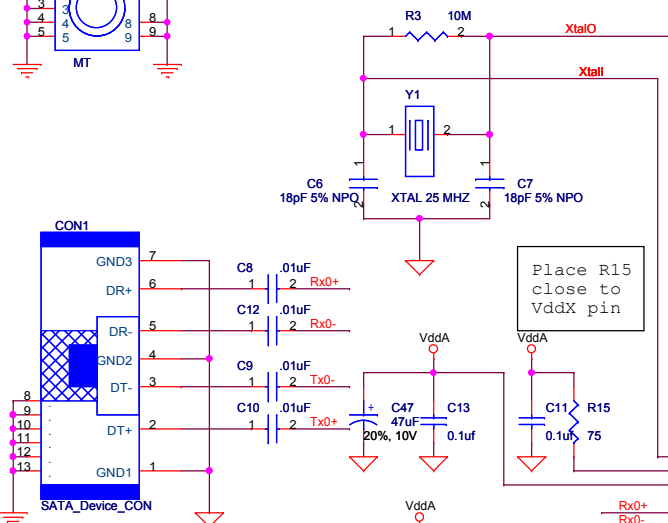


"Note: Please select low loading capacitance crystal and optimize the capacitor's value for ppm and drive level"

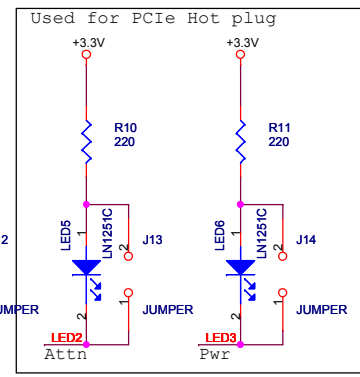
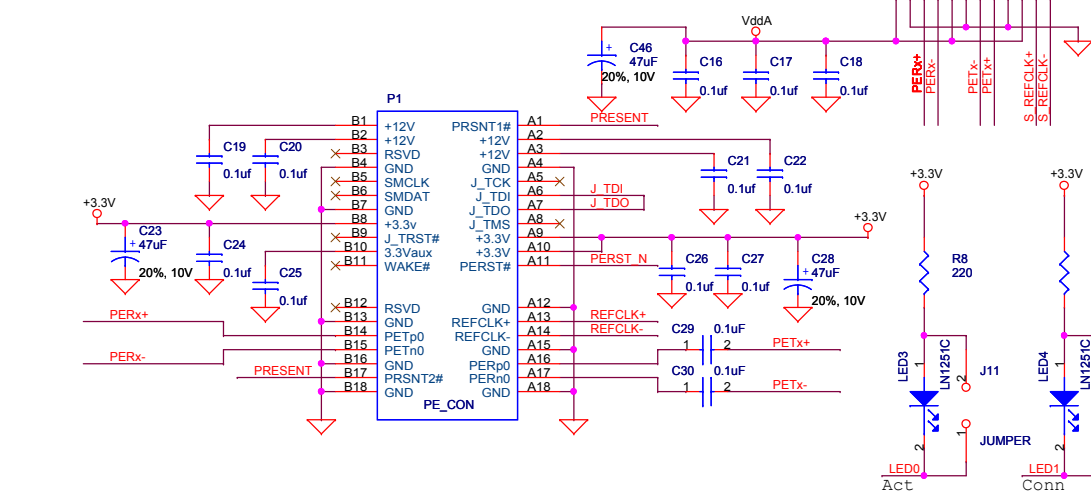
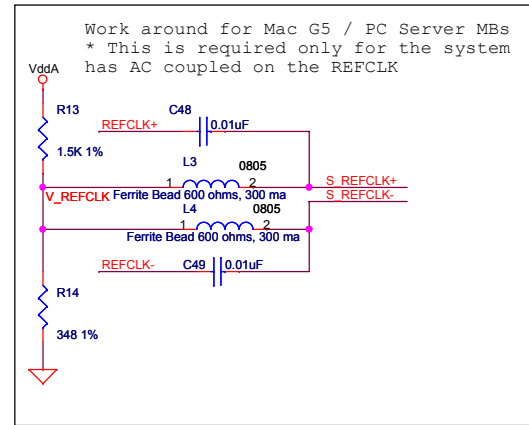
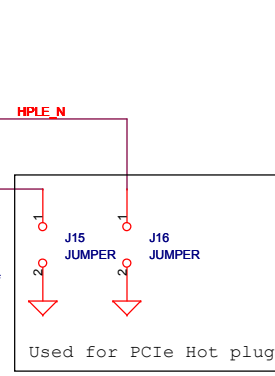
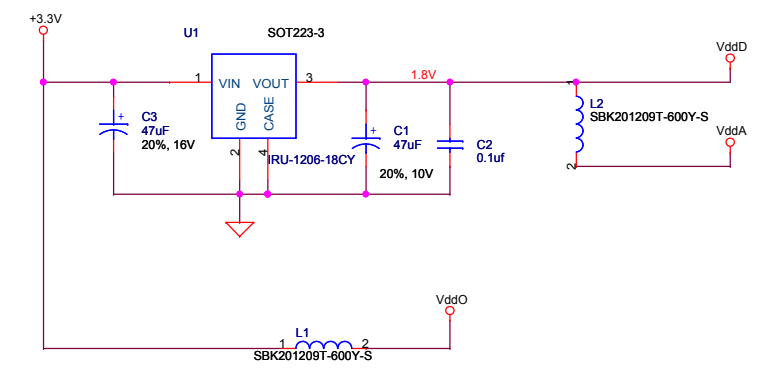
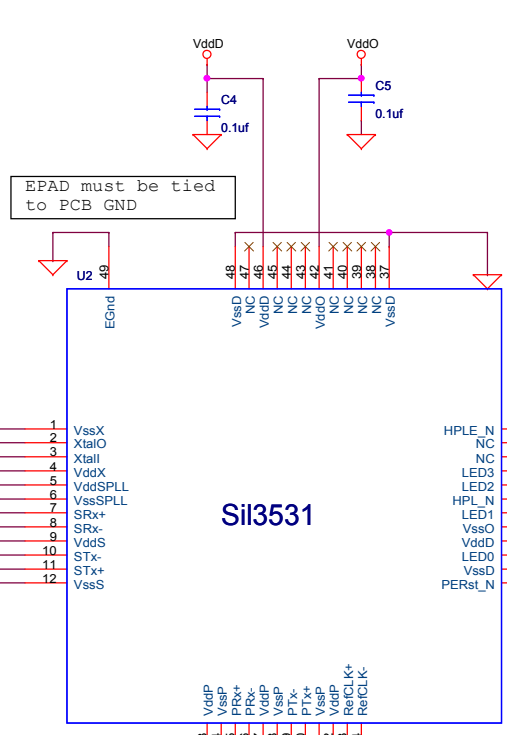


EPAD must be tied to PCB GND

Place R15 close to VddX pin

R12 NC

Test Purpose Only
* The connector GND should be separated from PCB GND



| | | | |
|-------------------------------|---------------------------------|---------|--|
| Silicon Image | | | |
| Title Pandora Reference Board | | | |
| Size Custom | Document Number Pandora Circuit | Rev A01 | |
| Date: Friday, August 11, 2006 | Sheet 1 | of 1 | |